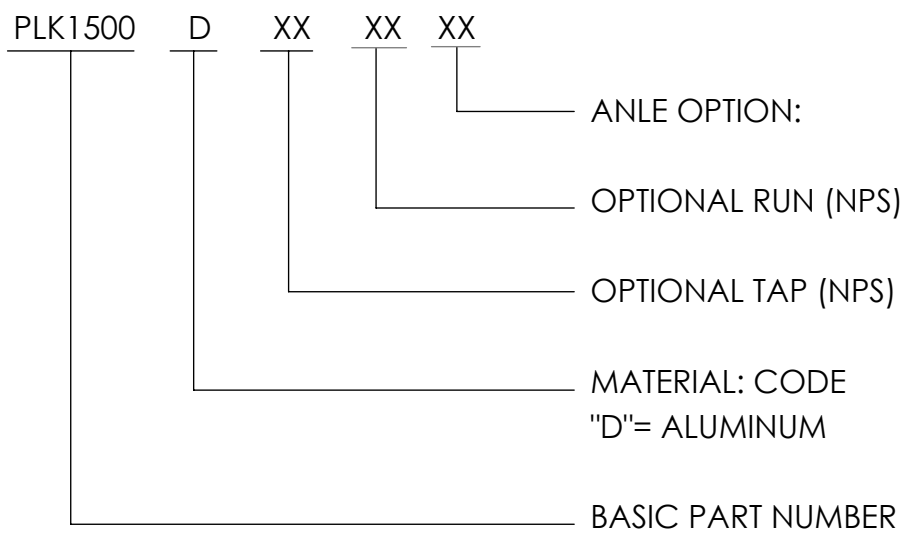


FOR OPTIONS ON THE E TAP ANGLE USE:

E ±1°	E1	E2	E3	E4	E10	E20
ANGLE	0°	15°	30°	45°	10°	20°

LEGEND



THIS DRAWING AND THE INFORMATION CONTAINED HEREIN ARE THE PROPERTY OF DMCPower AND SHALL NOT BE COPIED, REPRODUCED OR DISCLOSED WITHOUT EXPRESS AUTHORIZATION BY DMCPower.

TABLE: AVAILABLE OPTIONS

ASSEMBLY PART NUMBER	PIPE SIZE		øC1	øC2	E	A			
	TAP	MAIN							
PLK1500D1616E1	1	1	2.000	2.000	0	8.50			
PLK1500D1616E2					15	8.50			
PLK1500D1616E3					30	8.50			
PLK1500D1616E4					45	10.00			
PLK1500D1624E1		1-1/2			2.500	0	8.50		
PLK1500D1624E2						15	8.50		
PLK1500D1624E3						30	8.50		
PLK1500D1624E4						45	10.00		
PLK1500D1632E1		2			3.000	0	8.50		
PLK1500D1632E2						15	8.50		
PLK1500D1632E3						30	8.50		
PLK1500D1632E4						45	10.00		
PLK1500D1640E1		2-1/2			3.750	0	8.50		
PLK1500D1640E2						15	8.50		
PLK1500D1640E3						30	8.50		
PLK1500D1640E4						45	10.00		
PLK1500D1648E1		3			4.375	0	8.50		
PLK1500D1648E2						15	8.50		
PLK1500D1648E3						30	8.50		
PLK1500D1648E4						45	11.75		
PLK1500D1656E1		3-1/2			5.000	0	8.50		
PLK1500D1656E2						15	8.50		
PLK1500D1656E3						30	8.50		
PLK1500D1656E4						45	11.75		
PLK1500D1664E1		4			5.500	0	8.50		
PLK1500D1664E2						15	8.50		
PLK1500D1664E3						30	8.50		
PLK1500D1664E4						45	11.75		
PLK1500D1680E1		5			6.500	0	14.50		
PLK1500D1680E2						15	14.50		
PLK1500D1680E3						30	14.50		
PLK1500D1680E4						45	17.00		
PLK1500D2020E1		1-1/4		1-1/4	2.500	2.500	0	8.50	
PLK1500D2032E2				2		3.000	15	8.50	
PLK1500D2424E1		1-1/2		1-1/2	2.500	2.500	0	8.50	
PLK1500D2424E2							15	8.50	
PLK1500D2424E3							30	10.00	
PLK1500D2424E4							45	10.50	
PLK1500D2432E1				2			3.000	0	8.50
PLK1500D2432E2								15	8.50
PLK1500D2432E3	30		10.00						
PLK1500D2432E4	45		11.00						
PLK1500D2440E1	2-1/2			3.750		0	8.50		
PLK1500D2440E10						10	8.50		
PLK1500D2440E2						15	8.50		
PLK1500D2440E3						30	10.00		
PLK1500D2440E4	45		11.75						
PLK1500D2448E1	3			4.375		0	8.50		
PLK1500D2448E2						15	8.50		
PLK1500D2448E3						30	11.75		
PLK1500D2448E4						45	11.75		
PLK1500D2456E1	3-1/2			5.000		0	8.50		
PLK1500D2456E2						15	8.50		
PLK1500D2456E3						30	11.75		
PLK1500D2456E4						45	11.75		
PLK1500D2464E1	4			5.500		0	8.50		
PLK1500D2464E2						15	8.50		
PLK1500D2464E3						30	11.75		
PLK1500D2464E4						45	11.75		
PLK1500D2480E1			5	2.500		6.500	0	14.50	
PLK1500D2480E2							15	14.50	
PLK1500D2480E3							30	14.50	
PLK1500D2480E4							45	17.00	

THIS DRAWING AND THE INFORMATION CONTAINED HEREIN ARE THE PROPERTY OF DMCPower AND SHALL NOT BE COPIED, REPRODUCED OR DISCLOSED WITHOUT EXPRESS AUTHORIZATION BY DMCPower.

TABLE: AVAILABLE OPTIONS (CONT'D)

ASSEMBLY PART NUMBER	PIPE SIZE		øC1	øC2	E	A						
	TAP	MAIN										
PLK1500D3224E1	2	1-1/2	3.000	2.500	0	8.50						
PLK1500D3224E2					15	8.50						
PLK1500D3224E3					30	10.00						
PLK1500D3224E4					45	10.50						
PLK1500D3232E1		2				3.000	0	8.50				
PLK1500D3232E10							10	8.50				
PLK1500D3232E2							15	8.50				
PLK1500D3232E3							30	10.00				
PLK1500D3232E4		2-1/2				3.750	45	11.00				
PLK1500D3240E1							0	8.50				
PLK1500D3240E2							15	8.50				
PLK1500D3240E3							30	10.00				
PLK1500D3240E4		3				4.375	45	11.75				
PLK1500D3248E1							0	8.50				
PLK1500D3248E2							15	8.50				
PLK1500D3248E3							30	11.75				
PLK1500D3248E4		3-1/2				5.000	45	12.50				
PLK1500D3256E1							0	8.50				
PLK1500D3256E2							15	8.50				
PLK1500D3256E3							30	11.75				
PLK1500D3256E4		4				5.500	45	13.60				
PLK1500D3264E1							0	8.50				
PLK1500D3264E10							10	8.50				
PLK1500D3264E2							15	8.50				
PLK1500D3264E3		5				6.500	30	11.75				
PLK1500D3264E4							45	14.00				
PLK1500D3280E1							0	14.50				
PLK1500D3280E2							15	14.50				
PLK1500D3280E3		6				8.000	30	17.00				
PLK1500D3280E4							45	22.25				
PLK1500D3296E1							0	21.15				
PLK1500D3296E2							15	21.15				
PLK1500D3296E3		2-1/2		3-1/2	3.750	5.000	30	22.25				
PLK1500D3296E4							45	26.50				
PLK1500D4040E1							4			5.500	0	9.25
PLK1500D4040E10											10	11.75
PLK1500D4040E2		15		11.75								
PLK1500D4040E3		20		11.75								
PLK1500D4040E4		5				6.500	30	11.75				
PLK1500D4048E1							45	14.00				
PLK1500D4048E2	0		11.75									
PLK1500D4048E3	15		11.75									
PLK1500D4048E4	2-1/2	6	3.750	8.000	30	11.75						
PLK1500D4056E1					45	12.50						
PLK1500D4056E2					0	11.75						
PLK1500D4056E3					15	11.75						
PLK1500D4056E4	5			6.500	30	11.75						
PLK1500D4064E1					45	13.60						
PLK1500D4064E10					0	9.25						
PLK1500D4064E2					10	11.75						
PLK1500D4064E20	5			6.500	15	11.75						
PLK1500D4064E3					20	11.75						
PLK1500D4064E4					30	11.75						
PLK1500D4080E1					45	14.00						
PLK1500D4080E2	2-1/2	6	3.750	8.000	0	14.50						
PLK1500D4080E3					15	17.00						
PLK1500D4080E4					30	17.00						
PLK1500D4096E1					45	20.00						
PLK1500D4096E2	3	3	4.375	5.000	0	21.15						
PLK1500D4096E3					15	22.25						
PLK1500D4096E4					30	22.25						
PLK1500D4848E1					45	22.00						
PLK1500D4848E2	3	3	4.375	5.000	0	11.75						
PLK1500D4848E3					15	11.75						
PLK1500D4848E4					30	12.50						
PLK1500D4856E1					45	12.50						
PLK1500D4856E2	3-1/2			5.000	0	11.75						
PLK1500D4856E3					15	11.75						
PLK1500D4856E4					30	13.60						
PLK1500D4856E4					45	13.60						

THIS DRAWING AND THE INFORMATION CONTAINED HEREIN ARE THE PROPERTY OF DMCPower AND SHALL NOT BE COPIED, REPRODUCED OR DISCLOSED WITHOUT EXPRESS AUTHORIZATION BY DMCPower.

TABLE: AVAILABLE OPTIONS (CONT'D)

ASSEMBLY PART NUMBER	PIPE SIZE		øC1	øC2	E	A		
	TAP	MAIN						
PLK1500D4848E1	3	3	4.375	4.375	0	11.75		
PLK1500D4848E2					15	11.75		
PLK1500D4848E3					30	12.50		
PLK1500D4848E4					45	12.50		
PLK1500D4856E1	3-1/2			5.000	0	11.75		
PLK1500D4856E2					15	11.75		
PLK1500D4856E3					30	13.60		
PLK1500D4856E4					45	13.60		
PLK1500D4864E1	3	4		4.375	5.500	0	11.75	
PLK1500D4864E10						10	11.75	
PLK1500D4864E2						15	11.75	
PLK1500D4864E3						30	14.00	
PLK1500D4864E4	45	14.00						
PLK1500D4880E1	3	5			6.500	0	17.00	
PLK1500D4880E10						10	17.00	
PLK1500D4880E2						15	17.00	
PLK1500D4880E3			30			22.25		
PLK1500D4880E4	45	22.25						
PLK1500D4896E1	6		8.000			0	22.25	
PLK1500D4896E2						15	22.25	
PLK1500D4896E3						30	22.25	
PLK1500D4896E4					45	22.00		
PLK1500D5656E1	3-1/2	3-1/2	5.000		5.000	0	11.75	
PLK1500D5656E10						10	11.75	
PLK1500D5656E2				15		11.75		
PLK1500D5656E3				30		13.60		
PLK1500D5656E4	45	13.60						
PLK1500D5664E1	3-1/2	4		5.500	0	11.75		
PLK1500D5664E2					15	11.75		
PLK1500D5664E3					30	14.00		
PLK1500D5664E4					45	14.00		
PLK1500D5680E1	3-1/2	5			6.500	0	17.00	
PLK1500D5680E2						15	17.00	
PLK1500D5680E3						30	22.25	
PLK1500D5680E4						45	22.25	
PLK1500D5696E1	3-1/2	6		8.000		0	22.25	
PLK1500D5696E10						10	22.25	
PLK1500D5696E2						15	22.25	
PLK1500D5696E3			30			22.00		
PLK1500D6464E1	4	4	5.500		5.500	0	11.75	
PLK1500D6464E2						15	11.75	
PLK1500D6464E3						30	14.00	
PLK1500D6464E4						45	14.00	
PLK1500D6480E1	4	5		6.500	0	17.00		
PLK1500D6480E10					10	17.00		
PLK1500D6480E2					15	17.00		
PLK1500D6480E3					30	22.25		
PLK1500D6480E4	45	22.25						
PLK1500D6496E1	4	6			8.000	0	22.25	
PLK1500D6496E2						15	22.25	
PLK1500D6496E3						30	22.00	
PLK1500D6496E4				45		28.50		
PLK1500D8080E1	5	5		6.500		6.500	0	17.00
PLK1500D8080E2							15	22.25
PLK1500D8080E3							30	22.25
PLK1500D8080E4			45				22.25	
PLK1500D8096E1	5	6	8.000		0	22.00		
PLK1500D8096E2					15	22.00		
PLK1500D8096E3					30	22.00		
PLK1500D8096E4					45	28.50		
PLK1500D9696E1	6	6			8.000	0	22.00	
PLK1500D9696E2						15	22.00	
PLK1500D9696E3						30	28.50	
PLK1500D9696E4						45	28.50	

THIS DRAWING AND THE INFORMATION CONTAINED HEREIN ARE THE PROPERTY OF DMCPower AND SHALL NOT BE COPIED, REPRODUCED OR DISCLOSED WITHOUT EXPRESS AUTHORIZATION BY DMCPower.