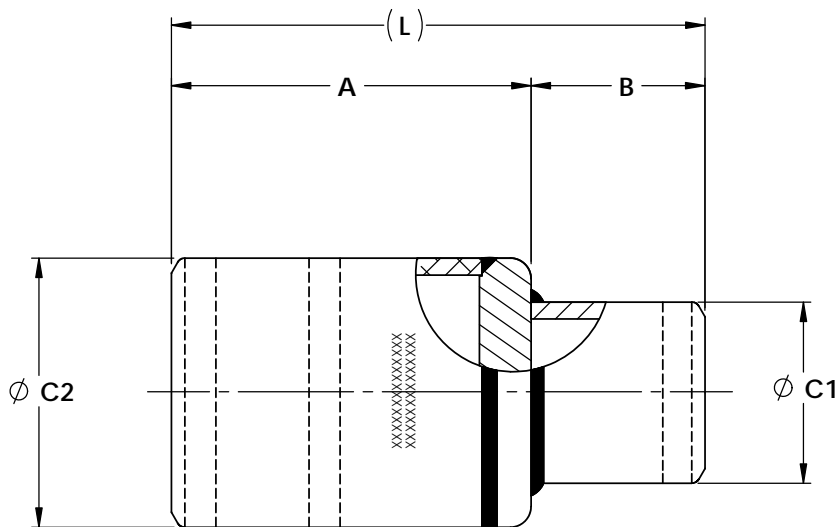
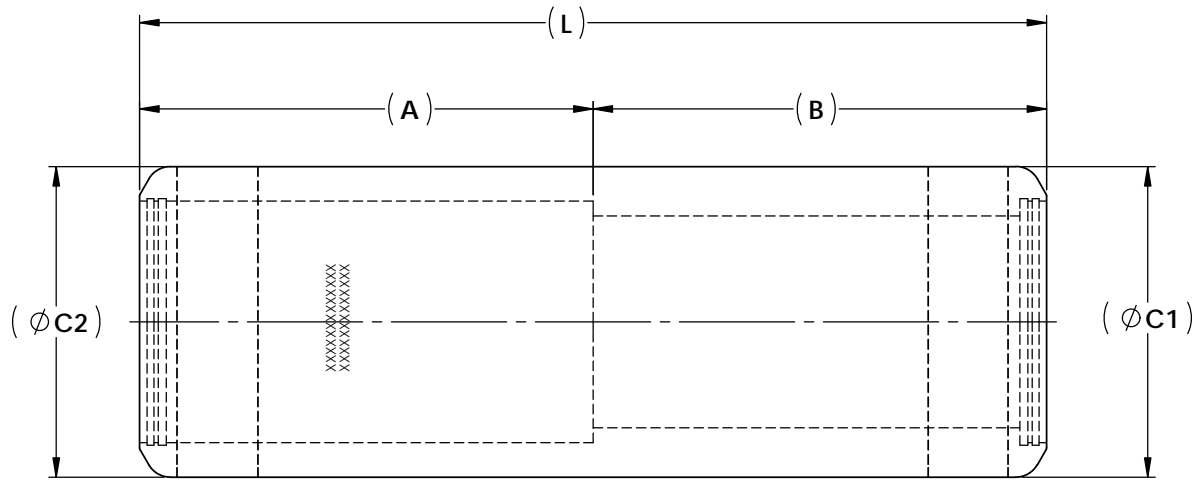


VIEW A
(SEE TABLE 1)



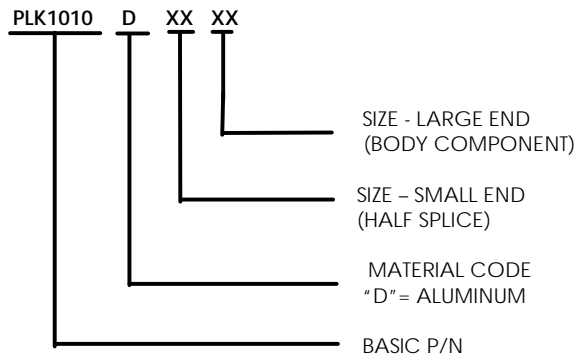
VIEW B
(SEE TABLE 1)

THIS DRAWING AND THE INFORMATION CONTAINED HEREIN ARE THE PROPERTY OF DMC POWER AND SHALL NOT BE COPIED, REPRODUCED OR DISCLOSED WITHOUT EXPRESS AUTHORIZATION BY DMC POWER.



VIEW C
(SAME OD)

LEGEND:



THIS DRAWING AND THE INFORMATION CONTAINED HEREIN ARE THE PROPERTY OF DMC POWER AND SHALL NOT BE COPIED, REPRODUCED OR DISCLOSED WITHOUT EXPRESS AUTHORIZATION BY DMC POWER.

TABLE 1: DIMENSIONS

ASSEMBLY PART NUMBER	(ØC1)	B ±.005	(ØC2)	A ±.030	(L)	VIEW	
PLK1010D1240	2.000	3.750	3.750	3.500	7.250	A	
PLK1010D1624	2.000	3.750	2.500	3.000	6.750		
PLK1010D1632	2.000	3.750	3.000	3.500	7.250		
PLK1010D1648	2.000	3.750	4.375	4.000	7.750		
PLK1010D2024	2.500	3.650	2.500	3.650	7.300	C	
PLK1010D2432	2.500	3.800	3.000	3.500	7.300	A	
PLK1010D2448	2.500	3.800	4.375	4.000	7.800		
PLK1010D2456	2.500	3.800	5.000	4.000	7.800		
PLK1010D3240	3.000	3.850	3.750	3.500	7.350		
PLK1010D3248	3.000	3.850	4.375	4.000	7.850		
PLK1010D3256	3.000	3.850	5.000	4.000	7.850		
PLK1010D3264	3.000	3.850	5.500	4.000	7.850		
PLK1010D4048	3.750	4.100	4.375	4.000	8.100		
PLK1010D4056	3.750	4.100	5.000	4.000	8.100		
PLK1010D4064	3.750	4.100	5.500	4.000	8.100		
PLK1010D4856	4.375	4.200	5.000	4.000	8.200		
PLK1010D4864	4.375	4.200	5.500	4.000	8.200		
PLK1010D4880	4.375	4.200	6.500	8.690	12.890		B
PLK1010D5664	5.000	4.400	5.500	4.000	8.400		A
PLK1010D5680	5.000	4.400	6.500	8.690	13.090	B	
PLK1010D6480	5.500	4.500	6.500	8.690	13.190		
PLK1010D6496	5.500	4.500	8.000	9.940	14.440		
PLK1010D8096	6.500	7.500	8.000	9.940	17.440		

THIS DRAWING AND THE INFORMATION CONTAINED HEREIN ARE THE PROPERTY OF DMC POWER AND SHALL NOT BE COPIED, REPRODUCED OR DISCLOSED WITHOUT EXPRESS AUTHORIZATION BY DMC POWER.