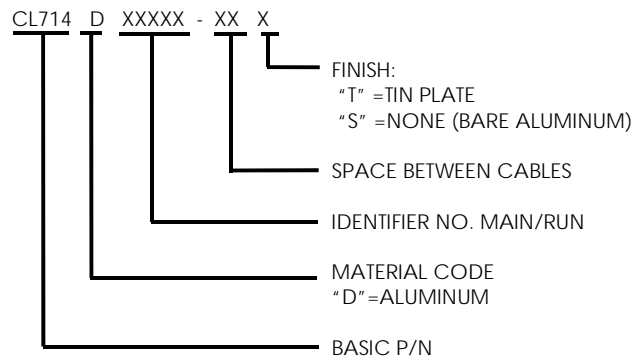


LEGEND:



THIS DRAWING AND THE INFORMATION CONTAINED HEREIN ARE THE PROPERTY OF DMC POWER AND SHALL NOT BE COPIED, REPRODUCED OR DISCLOSED WITHOUT EXPRESS AUTHORIZATION BY DMC POWER.

DIMENSIONS

| ASSEMBLY PART NUMBER | A ± .06 | ØC ± .015 | D ± .05 | F ± .020 | T ± .015 | V ± .015 |
|----------------------|------------|--------------|------------|-------------|-------------|-------------|
| CL714D02668X | 5.25 | 1.250 | 5.31 | .375 | .625 | .625 |
| CL714D03000X | | | | | | |
| CL714D03500X | | | | | | |
| CL714D03975X | | | | | | |
| CL714D04500X | 5.50 | 1.500 | | | | |
| CL714D04770X | | | | | | |
| CL714D05000X | | | | | | |
| CL714D05565X | | | | | | |
| CL714D06000X | 5.75 | 1.750 | | | | |
| CL714D06360X | | | | | | |
| CL714D07000X | | | | | | |
| CL714D07155X | | | | | | |
| CL714D07500X | 5.88 | 1.875 | | | | |
| CL714D07950X | | | | | | |
| CL714D08745X | | | | | | |
| CL714D09000X | | | | | | |
| CL714D09540X | 6.00 | 2.000 | 5.38 | .375 | .750 | 0.750 |
| CL714D10000X | | | | | | |
| CL714D10335X | | | | | | |
| CL714D11130X | | | | | | |
| CL714D11925X | 6.25 | 2.250 | | | | |
| CL714D12720X | | | | | | |
| CL714D13515X | | | | | | |
| CL714D14310X | | | | | | |
| CL714D15105X | | | | | | |
| CL714D15900X | | | | | | |
| CL714D17500X | | | | | | |
| CL714D18000X | | | | | | |
| CL714D20000X | 6.75 | 2.750 | 5.50 | .500 | 1.250 | 1.000 |
| CL714D22500X | | | | | | |
| CL714D25000X | | | | | | |
| CL714D25000X | | | | | | |

DIMENSIONS FOR 6" SERIES

| ASSEMBLY PART NUMBER | A ± .06 | ØC ± .015 | D ± .05 | F ± .020 | T ± .015 | V ± .015 |
|----------------------|------------|--------------|------------|-------------|-------------|-------------|
| CL714D07950-6X | 6.00 | 1.875 | 5.31 | .375 | .625 | .625 |
| CL714D10000-6X | 6.00 | 2.000 | 5.375 | .375 | .750 | .750 |
| CL714D11925-6X | 6.00 | 2.250 | 5.38 | .375 | .750 | .750 |

DIMENSIONS FOR 8" SERIES

| ASSEMBLY PART NUMBER | A ± .06 | C ± .015 | D ± .05 | F ± .010 | T ± .015 | V ± .015 |
|----------------------|------------|-------------|------------|-------------|-------------|-------------|
| CL714D02668-8X | 8.00 | 1.250 | 5.31 | .375 | .625 | .625 |
| CL714D03000-8X | | | | | | |
| CL714D03500-8X | | | | | | |
| CL714D03975-8X | | | | | | |
| CL714D04500-8X | | 1.500 | | | | |
| CL714D04770-8X | | | | | | |
| CL714D05000-8X | | | | | | |
| CL714D05565-8X | | | | | | |
| CL714D06000-8X | | 1.750 | | | | |
| CL714D06360-8X | | | | | | |
| CL714D07000-8X | | | | | | |
| CL714D07155-8X | | | | | | |
| CL714D07500-8X | | 1.875 | | | | |
| CL714D07950-8X | | | | | | |
| CL714D08745-8X | | | | | | |
| CL714D09000-8X | | | | | | |
| CL714D09540-8X | | 2.000 | 5.38 | .375 | .750 | .750 |
| CL714D10000-8X | | | | | | |
| CL714D10335-8X | | | | | | |
| CL714D11130-8X | | | | | | |
| CL714D11925-8X | | 2.250 | | | | |
| CL714D12720-8X | | | | | | |
| CL714D13515-8X | | | | | | |
| CL714D14310-8X | | | | | | |
| CL714D15105-8X | | | | | | |
| CL714D15900-8X | | | | | | |
| CL714D17500-8X | | | | | | |
| CL714D18000-8X | | | | | | |
| CL714D20000-8X | 2.750 | 5.50 | .500 | 1.250 | 1.000 | |
| CL714D22500-8X | | | | | | |
| CL714D23000-8X | | | | | | |
| CL714D25000-8X | | | | | | |

THIS DRAWING AND THE INFORMATION CONTAINED HEREIN ARE THE PROPERTY OF DMC POWER AND SHALL NOT BE COPIED, REPRODUCED OR DISCLOSED WITHOUT EXPRESS AUTHORIZATION BY DMC POWER.



TITLE
CABLELOK ELECTRIC CONNECTOR PARALLEL TO 4 HOLE NEMA

DWG NO
CL714 - CUT SHEET

SIZE
B
SHEET 2 OF 4

DIMENSIONS FOR 12" SERIES

| ASSEMBLY PART NUMBER | A ±.06 | ØC ±.015 | D ±.05 | F ±.020 | T ±.015 | V ±.015 |
|----------------------|-----------|-------------|-----------|------------|------------|------------|
| CL714D06360-12X | 12.00 | 1.750 | 5.31 | 0.375 | .625 | .625 |
| CL714D07950-12X | | 1.875 | | | | |
| CL714D09000-12X | | 2.000 | 5.38 | | .750 | .750 |
| CL714D09540-12X | | | | | | |
| CL714D10000-12X | | | | | | |
| CL714D10335-12X | | | | | | |
| CL714D11130-12X | | | | | | |
| CL714D11925-12X | | | | | | |
| CL714D15900-12X | | 2.250 | | | | |
| CL714D22500-12X | | 2.750 | 5.50 | | 0.500 | 1.250 |
| CL714D25000-12X | | | | | | |

DIMENSIONS FOR 13" SERIES

| ASSEMBLY PART NUMBER | A ±.06 | ØC ±.015 | D ±.05 | F ±.020 | T ±.015 | V ±.015 |
|----------------------|-----------|-------------|-----------|------------|------------|------------|
| CL714D09000-13X | 13.00 | 2.000 | 5.38 | .375 | .750 | .750 |
| CL714D23000-13X | 13.00 | 2.750 | 5.50 | 0.500 | 1.250 | 1.000 |

DIMENSIONS FOR 16" SERIES

| ASSEMBLY PART NUMBER | A ±.060 | ØC ±.015 | D ±.05 | F ±.020 | T ±.015 | V ±.015 |
|----------------------|------------|-------------|-----------|------------|------------|------------|
| CL714D02668-16X | 16.00 | 1.250 | 5.31 | .375 | .625 | .625 |
| CL714D03000-16X | | | | | | |
| CL714D03500-16X | | | | | | |
| CL714D03975-16X | | | | | | |
| CL714D04500-16X | | | | | | |
| CL714D04770-16X | | 1.500 | | | | |
| CL714D05000-16X | | | | | | |
| CL714D05565-16X | | | | | | |
| CL714D06000-16X | | | | | | |
| CL714D06360-16X | | | | | | |
| CL714D07000-16X | | 1.750 | | | | |
| CL714D07155-16X | | | | | | |
| CL714D07500-16X | | | | | | |
| CL714D07950-16X | | | | | | |
| CL714D08745-16X | | | | | | |
| CL714D09000-16X | | 2.000 | | | | |
| CL714D09540-16X | | | | | | |
| CL714D10000-16X | | | | | | |
| CL714D10335-16X | | | | | | |
| CL714D11130-16X | | | | | | |
| CL714D11925-16X | | | | | | |
| CL714D12720-16X | | 2.250 | 5.38 | .750 | .750 | |
| CL714D13515-16X | | | | | | |
| CL714D14310-16X | | | | | | |
| CL714D15105-16X | | | | | | |
| CL714D15900-16X | | | | | | |
| CL714D17500-16X | | | | | | |
| CL714D18000-16X | | 2.750 | 5.50 | .500 | 1.250 | 1.000 |
| CL714D20000-16X | | | | | | |
| CL714D22500-16X | | | | | | |
| CL714D25000-16X | | | | | | |

THIS DRAWING AND THE INFORMATION CONTAINED HEREIN ARE THE PROPERTY OF DMC POWER AND SHALL NOT BE COPIED, REPRODUCED OR DISCLOSED WITHOUT EXPRESS AUTHORIZATION BY DMC POWER.

**DIMENSIONS
FOR 18" SERIES**

| ASSEMBLY PART NUMBER | A ±.06 | ØC ±.015 | D ±.05 | F ±.020 | T ±.015 | V ±.015 |
|----------------------------|-----------|-------------|-----------|------------|------------|------------|
| CL714D02668-18X | 18.00 | 1.250 | 5.31 | .375 | .625 | .625 |
| CL714D03000-18X | | | | | | |
| CL714D03500-18X | | | | | | |
| CL714D03975-18X | | | | | | |
| CL714D04500-18X | | 1.500 | | | | |
| CL714D04770-18X | | | | | | |
| CL714D05000-18X | | | | | | |
| CL714D05565-18X | | | | | | |
| CL714D06000-18X | | 1.750 | | | | |
| CL714D06360-18X | | | | | | |
| CL714D07000-18X | | | | | | |
| CL714D07155-18X | | | | | | |
| CL714D07500-18X | | 1.875 | | | | |
| CL714D07950-18X | | | | | | |
| CL714D08745-18X | | | | | | |
| CL714D09000-18X | | 2.000 | | | | |
| CL714D09540-18X | | | | | | |
| CL714D10000-18X | | | | | | |
| CL714D10335-18X | | 2.250 | | | | |
| CL714D11130-18X | | | | | | |
| CL714D11925-18X | | | | | | |
| CL714D12720-18X | | | | | | |
| CL714D13515-18X | | | | | | |
| CL714D14310-18X | | | | | | |
| CL714D15105-18X | | | | | | |
| CL714D15900-18X | | | | | | |
| CL714D17500-18X | | | | | | |
| CL714D18000-18X | | | | | | |
| CL714D20000-18X | | | | | | |
| CL714D22500-18X | 2.750 | | | | | |
| CL714D25000-18X | | | | | | |

THIS DRAWING AND THE INFORMATION CONTAINED HEREIN ARE THE PROPERTY OF DMC POWER AND SHALL NOT BE COPIED, REPRODUCED OR DISCLOSED WITHOUT EXPRESS AUTHORIZATION BY DMC POWER.