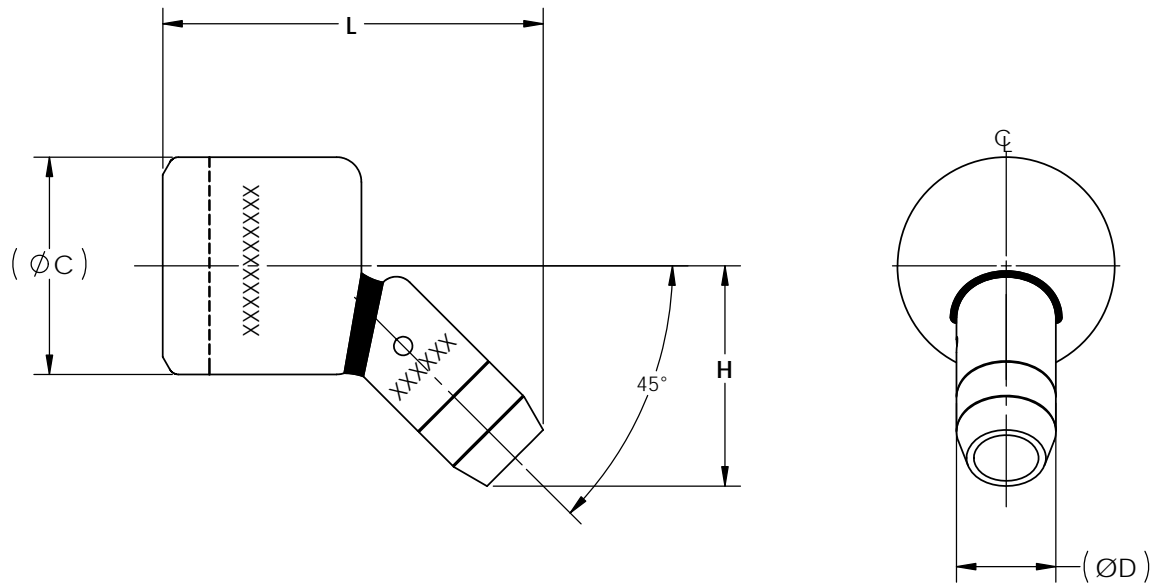
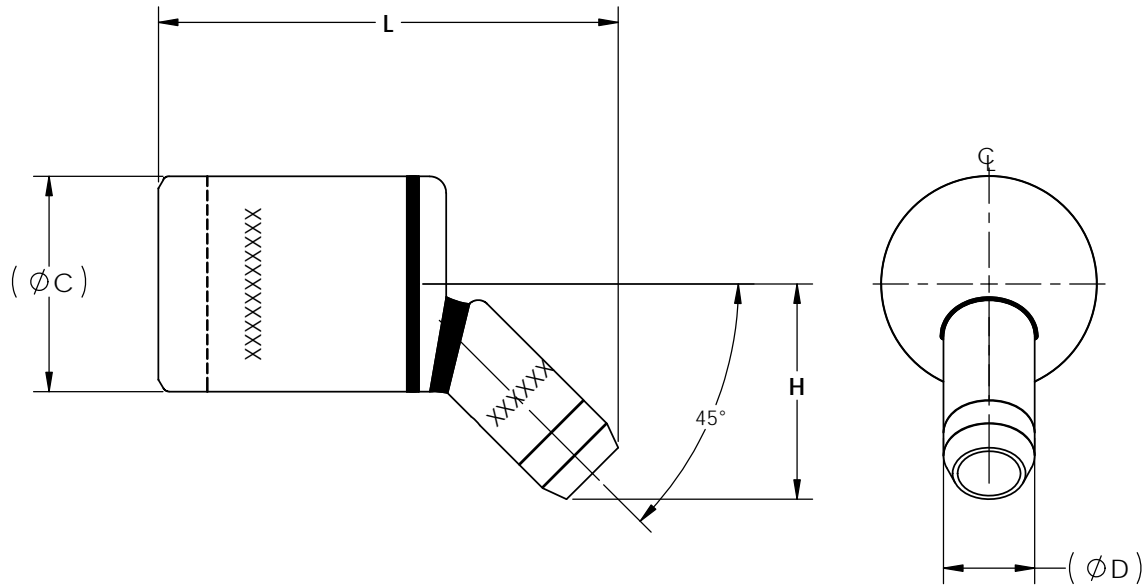


SIZES 16 THRU 64



SIZES 80 THRU 96



THIS DRAWING AND THE INFORMATION CONTAINED HEREIN ARE THE PROPERTY OF DMC POWER AND SHALL NOT BE COPIED, REPRODUCED OR DISCLOSED WITHOUT EXPRESS AUTHORIZATION BY DMC POWER.

TABLE 1: AVAILABLE OPTIONS

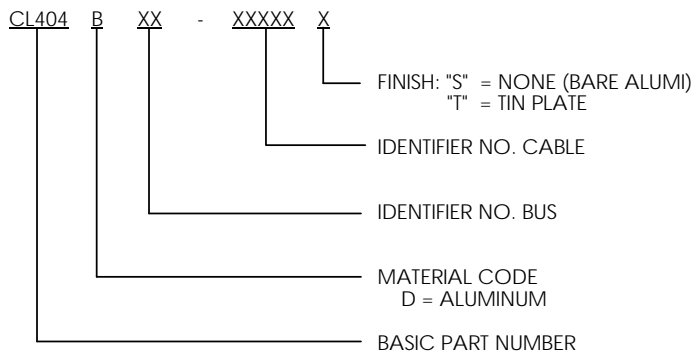
ASSEMBLY PART NUMBER	OUTSIDE DIAMETER		L ±.04	H ±.06
	MAIN/RUN (ØC)	TAP (ØD)		
CL404D16-02668X	2.000	1.250	5.99	3.11
CL404D16-03000X				
CL404D16-03500X				
CL404D16-03975X				
CL404D16-04500X	2.000	1.500	6.23	3.18
CL404D16-04770X				
CL404D16-05000X				
CL404D16-05565X				
CL404D32-05565X	3.000	1.500	6.73	3.70
CL404D32-09000X	3.000	2.000	7.19	4.00
CL404D32-13515X	3.000	2.250	7.34	4.36
CL404D48-00040X	4.375	1.000	6.65	4.14
CL404D48-03000X		1.250	6.99	4.44
CL404D48-04500X		1.500	7.25	4.44
CL404D48-04770X				
CL404D48-05000X				
CL404D48-05565X		2.000	7.69	4.44
CL404D48-09000X				
CL404D48-09540X				
CL404D48-10000X				
CL404D48-10335X				
CL404D48-11130X		4.375	2.250	7.84
CL404D48-11925X				
CL404D48-12720X				
CL404D48-13515X				
CL404D48-14310X				
CL404D48-15105X				
CL404D48-15900X				
CL404D48-17500X				
CL404D48-18000X				
CL404D48-20000X	4.375	2.750	8.28	4.53
CL404D48-22500X				
CL404D48-25000X				
CL404D56-00020X	5.000	1.000	6.76	4.03
CL404D56-07950X	5.000	1.875	7.56	4.74
CL404D56-11130X	5.000	2.000	7.66	4.74
CL404D64-07500X	5.500	1.875	7.56	5.00
CL404D64-07950X				
CL404D64-08745X				
CL404D64-09000X	5.500	2.000	7.65	5.00
CL404D64-09540X				
CL404D64-10000X				
CL404D64-10335X				
CL404D64-11130X				

THIS DRAWING AND THE INFORMATION CONTAINED HEREIN ARE THE PROPERTY OF DMC POWER AND SHALL NOT BE COPIED, REPRODUCED OR DISCLOSED WITHOUT EXPRESS AUTHORIZATION BY DMC POWER.

TABLE 1: AVAILABLE OPTIONS (CONTINUED)

ASSEMBLY PART NUMBER	OUTSIDE DIAMETER		L ± .04	H ± .06
	MAIN/RUN (ØC)	TAP (ØD)		
CL404D64-05565X	5.500	2.250	7.71	5.00
CL404D64-11925X	5.500	2.250	7.83	5.00
CL404D64-12720X				
CL404D64-13515X				
CL404D64-14310X				
CL404D64-15105X				
CL404D64-15900X				
CL404D64-17500X				
CL404D64-18000X				
CL404D64-20000X	5.500	2.750	8.28	5.09
CL404D64-22500X				
CL404D64-25000X				
CL404D80-07500X	6.500	1.875	12.52	5.49
CL404D80-07950X				
CL404D80-08745X				
CL404D80-09000X	6.500	2.000	12.34	5.50
CL404D80-09540X				
CL404D80-10000X				
CL404D80-10335X				
CL404D80-11130X				
CL404D80-11925X	6.500	2.250	12.52	5.50
CL404D80-12720X				
CL404D80-13515X				
CL404D80-14310X				
CL404D80-15105X				
CL404D80-15900X				
CL404D80-17500X				
CL404D80-18000X				
CL404D80-20000X	6.500	2.750	12.96	5.59
CL404D80-22500X				
CL404D80-25000X				

LEGEND



THIS DRAWING AND THE INFORMATION CONTAINED HEREIN ARE THE PROPERTY OF DMC POWER AND SHALL NOT BE COPIED, REPRODUCED OR DISCLOSED WITHOUT EXPRESS AUTHORIZATION BY DMC POWER.