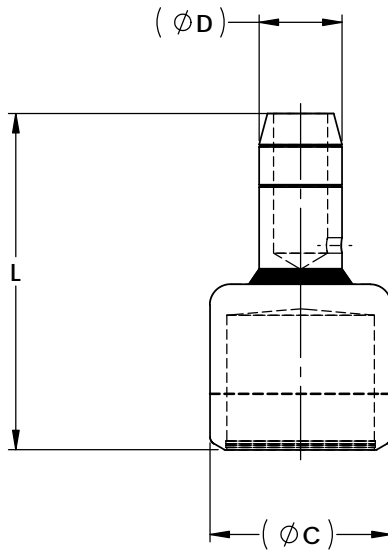
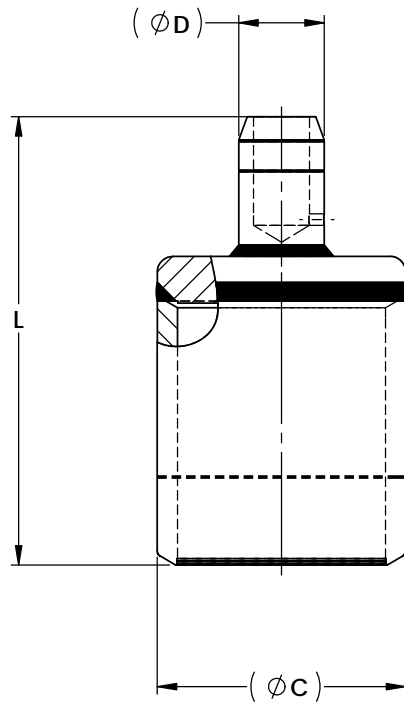


SIZES: 16 THRU 64



SIZES: 80 & 96



THIS DRAWING, AND THE INFORMATION CONTAINED HEREIN ARE THE PROPERTY OF DMC POWER AND SHALL NOT BE COPIED, REPRODUCED OR DISCLOSED WITHOUT EXPRESS AUTHORIZATION BY DMC POWER.

TABLE 1:

ASSEMBLY PART NUMBER	OUTSIDE DIAMETER		L ±.040	
	MAIN/RUN (ØC)	TAP (ØD)		
CL400D16-00020X	2.000	1.000	6.125	
CL400D16-03975X	2.000	1.250	6.500	
CL400D16-07950X	2.000	1.875	7.050	
CL400D20-03500X	2.500	1.250	6.500	
CL400D24-03000X	2.500	1.250	6.500	
CL400D24-09540X	2.500	2.000	7.125	
CL400D24-11925X	2.500	2.250		
CL400D24-12720X	2.500	2.250		
CL400D24-13515X	2.500	2.250		
CL400D24-14310X	2.500	2.250		
CL400D24-15105X	2.500	2.250		
CL400D24-15905X	2.500	2.250		
CL400D24-17500X	2.500	2.250		
CL400D24-18000X	2.500	2.250		
CL400D32-00004X	3.000	0.500		6.250
CL400D32-00020X	3.000	1.000		6.625
CL400D32-02500X	3.000	1.000	7.000	
CL400D32-03000X	3.000	1.250		
CL400D32-03975X	3.000	1.250		
CL400D32-04500X	3.000	1.500	7.250	
CL400D32-04770X	3.000	1.500		
CL400D32-05000X	3.000	1.500		
CL400D32-05565X	3.000	1.500	7.500	
CL400D32-06000X	3.000	1.750		
CL400D32-06360X	3.000	1.750		
CL400D32-07000X	3.000	1.750		
CL400D32-07155X	3.000	1.750		
CL400D32-07500X	3.000	1.875	7.550	
CL400D32-07950X	3.000	1.875		
CL400D32-08745X	3.000	1.875		
CL400D32-09000X	3.000	2.000	7.625	
CL400D32-09540X	3.000	2.000		
CL400D32-10000X	3.000	2.000		
CL400D32-10335X	3.000	2.000		
CL400D32-11130X	3.000	2.000		
CL400D32-11925X	3.000	2.250		
CL400D32-12720X	3.000	2.250		
CL400D32-13515X	3.000	2.250	7.625	
CL400D32-14310X	3.000	2.250		
CL400D32-15105X	3.000	2.250		
CL400D32-15900X	3.000	2.250		
CL400D32-17500X	3.000	2.250		
CL400D32-18000X	3.000	2.250		
CL400D32-20000X	3.000	2.750		8.000
CL400D32-22500X	3.000	2.750		
CL400D32-25000X	3.000	2.750		
CL400D40-00040X	3.750	1.000	6.625	
CL400D40-03500X	3.750	1.250	7.000	
CL400D40-04500X	3.750	1.500	7.250	
CL400D40-04770X	3.750	1.500		
CL400D40-05000X	3.750	1.500		
CL400D40-05565X	3.750	1.500	7.500	
CL400D40-06000X	3.750	1.750		
CL400D40-06360X	3.750	1.750		
CL400D40-07000X	3.750	1.750		
CL400D40-07155X	3.750	1.750		
CL400D40-07500X	3.750	1.875	7.550	
CL400D40-07950X	3.750	1.875		
CL400D40-08745X	3.750	1.875		
CL400D40-09000X	3.750	2.000	7.625	
CL400D40-09540X	3.750	2.000		
CL400D40-10000X	3.750	2.000		
CL400D40-10335X	3.750	2.000		
CL400D40-11130X	3.750	2.000		
CL400D40-11925X	3.750	2.250		
CL400D40-12720X	3.750	2.250		
CL400D40-13515X	3.750	2.250		
CL400D40-14310X	3.750	2.250		
CL400D40-15105X	3.750	2.250		
CL400D40-15900X	3.750	2.250		
CL400D40-17500X	3.750	2.250		
CL400D40-18000X	3.750	2.250		8.000
CL400D40-20000X	3.750	2.750		
CL400D40-22500X	3.750	2.750		
CL400D40-25000X	3.750	2.750		

THIS DRAWING AND THE INFORMATION CONTAINED HEREIN ARE THE PROPERTY OF DMC POWER AND SHALL NOT BE COPIED, REPRODUCED OR DISCLOSED WITHOUT EXPRESS AUTHORIZATION BY DMC POWER.

TABLE 1: (CONT)

ASSEMBLY PART NUMBER	OUTSIDE DIAMETER		L ±.040	
	MAIN/RUN (ØC)	TAP (ØD)		
CL400D48-00040X	4.375	1.000	7.125	
CL400D48-04500X	4.375	1.500	7.750	
CL400D48-04770X	4.375	1.500		
CL400D48-05000X	4.375	1.500		
CL400D48-05565X	4.375	1.500		
CL400D48-06000X	4.375	1.750	8.000	
CL400D48-06360X	4.375	1.750		
CL400D48-07000X	4.375	1.750		
CL400D48-07155X	4.375	1.750		
CL400D48-07500X	4.375	1.875	8.050	
CL400D48-07950X	4.375	1.875		
CL400D48-08745X	4.375	1.875		
CL400D48-09000X	4.375	2.000		
CL400D48-09540X	4.375	2.000	8.125	
CL400D48-10000X	4.375	2.000		
CL400D48-10335X	4.375	2.000		
CL400D48-11130X	4.375	2.000		
CL400D48-11925X	4.375	2.250		
CL400D48-12720X	4.375	2.250		
CL400D48-13515X	4.375	2.250		
CL400D48-14310X	4.375	2.250		
CL400D48-15105X	4.375	2.250		
CL400D48-15900X	4.375	2.250		
CL400D48-17500X	4.375	2.250		
CL400D48-18000X	4.375	2.250		
CL400D48-20000X	4.375	2.750		8.500
CL400D48-22500X	4.375	2.750		
CL400D48-25000X	4.375	2.750		
CL400D56-00020X	5.000	1.000	7.125	
CL400D56-05000X	5.000	1.500	7.750	
CL400D56-07155X	5.000	1.750	8.000	
CL400D56-13515X	5.000	2.250	8.125	
CL400D56-17500X	5.000	2.250		
CL400D56-22500X	5.000	2.750	8.500	
CL400D64-03000X	5.500	1.250	7.500	
CL400D64-04500X	5.500	1.500	7.750	
CL400D64-04770X	5.500	1.500		
CL400D64-05000X	5.500	1.500		
CL400D64-05565X	5.500	1.500		
CL400D64-06000X	5.500	1.750	8.000	
CL400D64-06360X	5.500	1.750		
CL400D64-07000X	5.500	1.750		
CL400D64-07155X	5.500	1.750		
CL400D64-07500X	5.500	1.750	8.050	
CL400D64-07950X	5.500	1.875		
CL400D64-08745X	5.500	1.875		
CL400D64-09000X	5.500	2.000		
CL400D64-09540X	5.500	2.000	8.125	
CL400D64-10000X	5.500	2.000		
CL400D64-10335X	5.500	2.000		
CL400D64-11130X	5.500	2.000		
CL400D64-11925X	5.500	2.250		
CL400D64-12720X	5.500	2.250		
CL400D64-13515X	5.500	2.250		
CL400D64-14310X	5.500	2.250		
CL400D64-15105X	5.500	2.250		
CL400D64-15900X	5.500	2.250		
CL400D64-17500X	5.500	2.250	8.500	
CL400D64-18000X	5.500	2.250		
CL400D64-20000X	5.500	2.750		
CL400D64-22500X	5.500	2.750		
CL400D64-25000X	5.500	2.750		

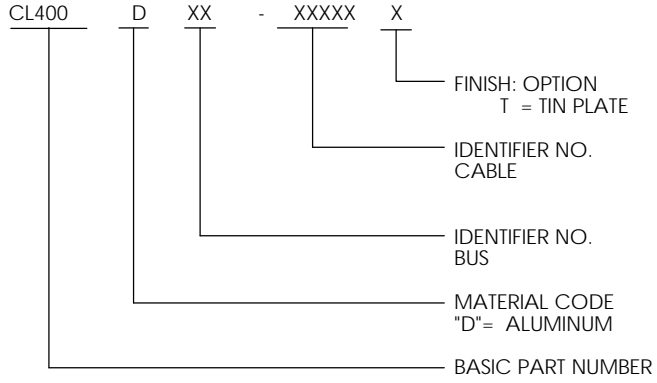
THIS DRAWING AND THE INFORMATION CONTAINED HEREIN ARE THE PROPERTY OF DMC POWER AND SHALL NOT BE COPIED, REPRODUCED OR DISCLOSED WITHOUT EXPRESS AUTHORIZATION BY DMC POWER.

TABLE 1: (CONT)

ASSEMBLY PART NUMBER	OUTSIDE DIAMETER		L ±.060
	MAIN/RUN (Ø C)	TAP (Ø D)	
CL400D80-04500X	6.500	1.500	12.500
CL400D80-04770X	6.500	1.500	
CL400D80-05000X	6.500	1.500	
CL400D80-05565X	6.500	1.500	
CL400D80-06000X	6.500	1.750	12.750
CL400D80-06360X	6.500	1.750	
CL400D80-07000X	6.500	1.750	
CL400D80-07155X	6.500	1.750	
CL400D80-07500X	6.500	1.875	12.800
CL400D80-07950X	6.500	1.875	
CL400D80-08745X	6.500	1.875	
CL400D80-09000X	6.500	2.000	
CL400D80-09540X	6.500	2.000	12.875
CL400D80-10000X	6.500	2.000	
CL400D80-10335X	6.500	2.000	
CL400D80-11130X	6.500	2.000	
CL400D80-11925X	6.500	2.250	
CL400D80-12720X	6.500	2.250	
CL400D80-13515X	6.500	2.250	
CL400D80-14310X	6.500	2.250	
CL400D80-15105X	6.500	2.250	
CL400D80-15900X	6.500	2.250	
CL400D80-17500X	6.500	2.250	
CL400D80-18000X	6.500	2.250	
CL400D80-20000X	6.500	2.750	13.250
CL400D80-22500X	6.500	2.750	
CL400D80-25000X	6.500	2.750	
CL400D96-04500X	8.000	1.500	13.750
CL400D96-04770X	8.000	1.500	
CL400D96-05000X	8.000	1.500	
CL400D96-05565X	8.000	1.500	
CL400D96-06000X	8.000	1.750	14.000
CL400D96-06360X	8.000	1.750	
CL400D96-07000X	8.000	1.750	
CL400D96-07155X	8.000	1.750	
CL400D96-07500X	8.000	1.875	14.050
CL400D96-07950X	8.000	1.875	
CL400D96-08745X	8.000	1.875	
CL400D96-09000X	8.000	2.000	
CL400D96-09540X	8.000	2.000	14.125
CL400D96-10000X	8.000	2.000	
CL400D96-10335X	8.000	2.000	
CL400D96-11130X	8.000	2.000	
CL400D96-11925X	8.000	2.250	
CL400D96-12720X	8.000	2.250	
CL400D96-13515X	8.000	2.250	
CL400D96-14310X	8.000	2.250	
CL400D96-15105X	8.000	2.250	
CL400D96-15900X	8.000	2.250	
CL400D96-17500X	8.000	2.250	
CL400D96-18000X	8.000	2.250	
CL400D96-20000X	8.000	2.750	14.500
CL400D96-22500X	8.000	2.750	
CL400D96-23000X	8.000	2.750	
CL400D96-25000X	8.000	2.750	

THIS DRAWING AND THE INFORMATION CONTAINED HEREIN ARE THE PROPERTY OF DMC POWER AND SHALL NOT BE COPIED, REPRODUCED OR DISCLOSED WITHOUT EXPRESS AUTHORIZATION BY DMC POWER.

LEGEND



THIS DRAWING, AND THE INFORMATION CONTAINED HEREIN ARE THE PROPERTY OF DMC POWER AND SHALL NOT BE COPIED, REPRODUCED OR DISCLOSED WITHOUT EXPRESS AUTHORIZATION BY DMC POWER.