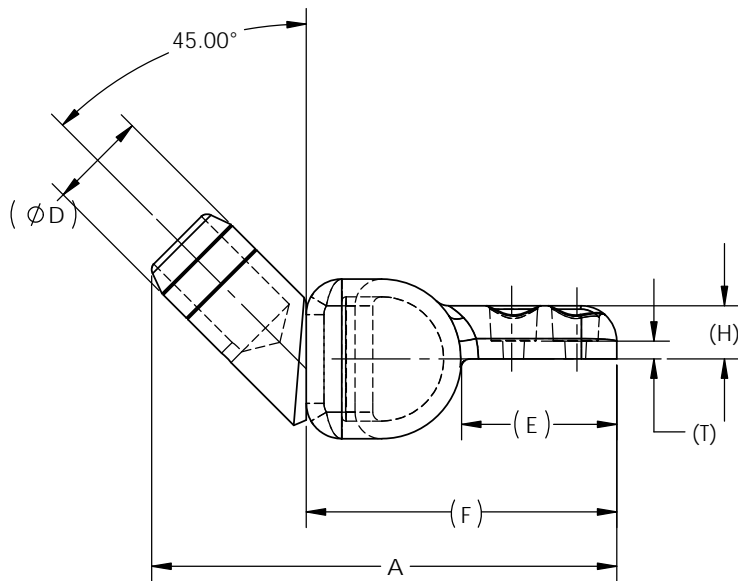
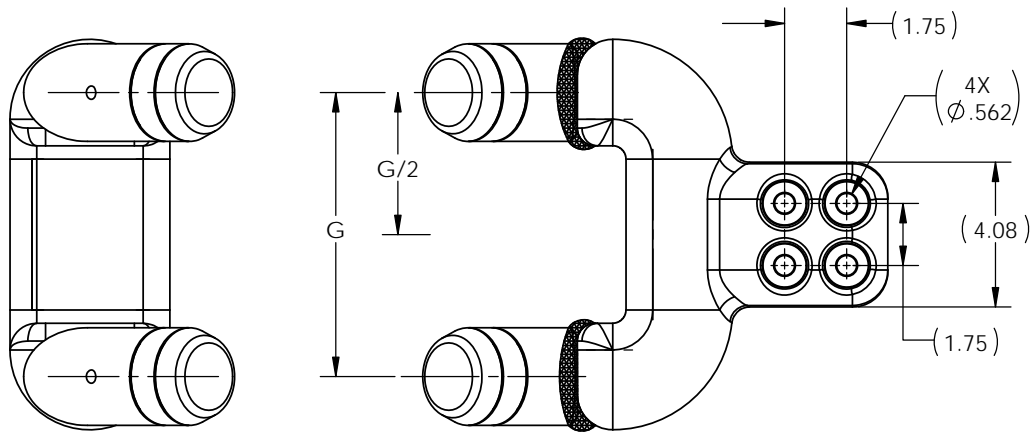


**FIGURE 1**  
STANDARD BARREL OPTION

**LEGEND**

CEHV9644	D	XXXXX - XX	X - 90 - EHV	
				EHV = EXTRA HIGH VOLTAGE
				ROTATED BARREL OPTION
				FINISH: "S" = NONE (BARE ALUM) "T" = TIN PLATE
				DISTANCE BETWEEN BARRELS
				IDENTIFIER NUMBER
				MATERIAL CODE "D" = ALUMINUM
				BASIC PART NUMBER

THIS DRAWING AND THE INFORMATION CONTAINED HEREIN ARE THE PROPERTY OF DMC POWER AND SHALL NOT BE COPIED, REPRODUCED OR DISCLOSED WITHOUT EXPRESS AUTHORIZATION BY DMC POWER.



**FIGURE 2**  
-90 ROTATED BARREL OPTION

THIS DRAWING AND THE INFORMATION CONTAINED HEREIN ARE THE PROPERTY OF DMC POWER AND SHALL NOT BE COPIED, REPRODUCED OR DISCLOSED WITHOUT EXPRESS AUTHORIZATION BY DMC POWER.

**TABLE 1: AVAILABLE OPTIONS**

ASSEMBLY PART NUMBER	A ±.06	(ØD)	(E)	(F)	G ±.03	(H)	(T)	FIGURE																								
CEHV9644D09000-8X	13.04	2.000	4.39	8.75	8.00	1.500	0.500	1																								
CEHV9644D09540-8X																																
CEHV9644D10000-8X																																
CEHV9644D10335-8X																																
CEHV9644D11130-8X																																
CEHV9644D11925-8X																																
CEHV9644D11925-8X-EHV																																
CEHV9644D12720-8X																																
CEHV9644D13515-8X																																
CEHV9644D14310-8X																																
CEHV9644D15105-8X																																
CEHV9644D15900-8X																																
CEHV9644D17500-8X																																
CEHV9644D18000-8X																																
CEHV9644D18000-8X-EHV																																
CEHV9644D20000-8X	13.15	2.750	4.89	9.25	12.00	1.500	0.500	1																								
CEHV9644D22500-8X																																
CEHV9644D22500-8X-EHV																																
CEHV9644D25000-8X																																
CEHV9644D30000-8X	14.82	3.250							4.89	9.25	12.00	1.500	0.500	1																		
CEHV9644D09000-12X	13.54	2.000													4.89	9.25	12.00	1.500	0.500	2												
CEHV9644D09000-12X-90																																
CEHV9644D15900-12X	13.54	2.250													4.89	9.25	12.00	1.500	0.500	1												
CEHV9644D20000-12X																																
CEHV9644D22500-12X																																
CEHV9644D22500-18X	13.65	2.750																			4.89	9.25	18.00	1.500	0.500	1						
CEHV9644D30000-18X	15.32	3.250																									4.89	9.25	18.00	1.500	0.500	1

THIS DRAWING AND THE INFORMATION CONTAINED HEREIN ARE THE PROPERTY OF DMC POWER AND SHALL NOT BE COPIED, REPRODUCED OR DISCLOSED WITHOUT EXPRESS AUTHORIZATION BY DMC POWER.